



# DDSU666 Single Phase DIN-Rail Meter



T

## FUNCTION

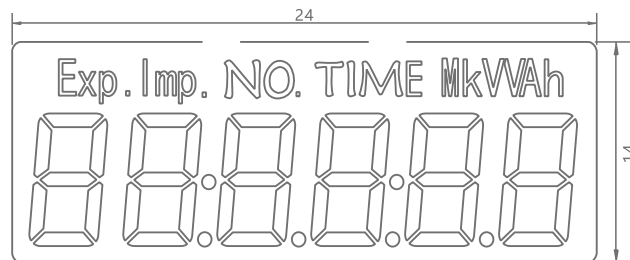
- LCD Display
- Bi-Direction Measurement
- DIN-Rail Installation

## FEATURES

HI

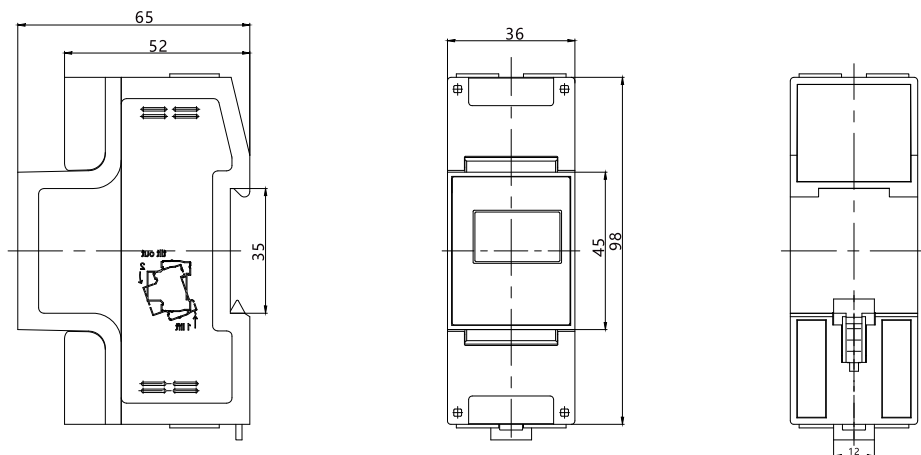
 <p>GH ACCURACY</p>	 <p>LOW CONSUMPTION</p>	 <p>BI-DIRECTION MEASUREMENT</p>	 <p>LARGE LCD DISPLAY</p>
--	--	--	--

## LCD INDICATION



Units: mm

## METER DIMENSIONS



Units: mm



# DDSU666 Single Phase DIN-Rail Meter



## SPECIFICATIONS

### Measurement

- Compliance with IEC60252-11 IEC62053-21
- Connection type: 1P2W
- Accuracy: Class 1.0 for active

### Voltage

- Nominal voltage (Un): 120V, 220V, 230V, 240V
- Operating range:  $0.7U_n \sim 1.2U_n$
- Power consumption:  $\leq 1W, 5VA$

### Current

- CT: 1.5(6)A
- DC: 5(80) A

### Frequency

- 50Hz or 60Hz

### LCD Display

- 7 characters of 7 segment display
- Digital size: 5.3mm x 2.8mm

### LED Display

- Number of flashes per kWh

### Measured Values

- Total kWh
- Instantaneous kW
- Instantaneous Irms, Vrms, frequency, power factor

### Communications

- RS485
- Protocol: Modbus and DL/T

### Environmental

- Operating range limit:  $-40^{\circ}C$  to  $+75^{\circ}C$
- Storage range limit:  $-40^{\circ}C$  to  $+85^{\circ}C$  Relative humidity:  $\leq 95\% RH$
- Ingress protection: IP54

### Dimensions and Weight

- Dimensions: 98mm x 65mm x 36mm
- Weight: 0.2 kg (Approx.)